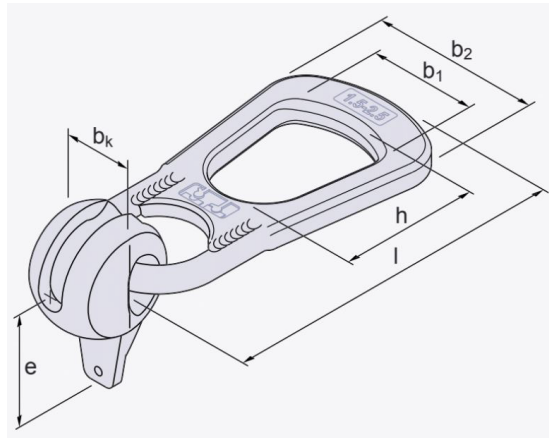


PHILIPP Concrete Lifting Clutch

The PHILIPP spherical head lifting clutch is made of resistant cast steel as well as forged steel. It's included claw supports an easy (un) coupling to anchor head of the Spherical head anchor systems. The Spherical head lifting clutch surface is completely electro-galvanised.

- Proof tested, supplied with test certificate and stamped with unique trackable serial number
- Full range of Clutches up to 32 tonne
- Clutches are elctroplated to increase longevity



Part No.	WLL (tonnes)	b1 (mm)	b2 (mm)	h (mm)	e (mm)	bk (mm)	l (mm)	Weight (kg)
295201	1.3t	46	78	70	53	33	158	0.9
295202	2.5t	66	100	86	68	43	197	1.6
295203	5t	72	125	88	95	56	240	3.4
295204	10t	89	170	115	120	77	340	9.5

HEAD OFFICE

A. 4 Christensen Rd, Yatala Q 4207
T. 07 3801 6565
W. stenhouselifting.com.au
E. sales@stenhouselifting.com.au

YATALA 07 3801 6565
MARYBOROUGH 07 4122 1193
WACOL 07 3728 4545

