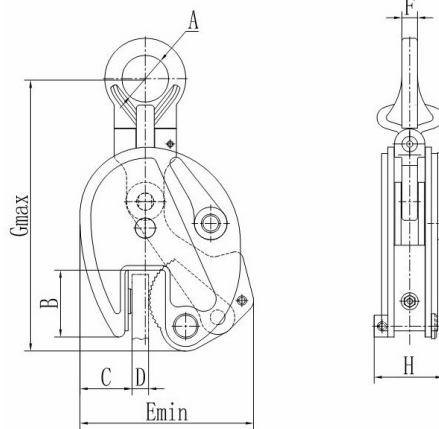


Challenger Universal Plate Clamp

Challenger universal plate clamps are suitable for lifting and transferring of non-sagging steel plates in a vertical or horizontal position.

- Compact and light weight without compromising quality of design.
- 2 year warranty
- Complies with Australian Standard AS 4991.



Part No.	WLL (tonnes)	Jaw Opening (mtr)	A (mm)	B (mm)	C (mm)	D (mm)	E min (mm)	F (mm)	G max (mm)	H (mm)	Weight (kg)
171001	0.5	0 - 15	30	43	34	0 - 17	106	10	216	30	2
171002	1	0 - 20	48	63	50	0 - 22	145	12	292	66	4.5
171003	2	0 - 25	68	78	61	0 - 27	174	16	369	76	7.3
171004	3	0 - 30	74	85	57	0 - 32	207	20	428	106	15
171005	5	0 - 50	80	100	66	0 - 52	240	26	481	110	21.6

HEAD OFFICE

A. 4 Christensen Rd, Yatala Q 4207
T. 07 3801 6565
W. stenhouselifting.com.au
E. sales@stenhouselifting.com.au

YATALA 07 3801 6565
MARYBOROUGH 07 4122 1193
WACOL 07 3728 4545

